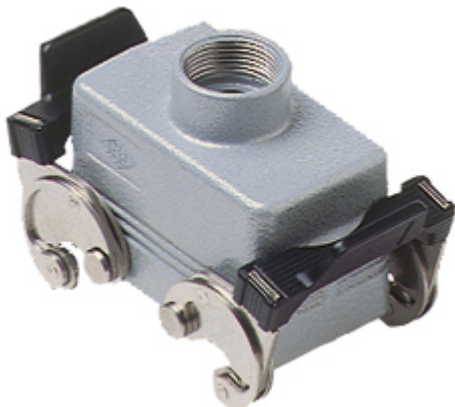


Part number

# CAV 10 X



## Brief description:

hoods with two levers, size "57.27", top entry, Pg21, metal version, IP66 (EN 60529) and IP69K (DIN 40050 - 9) degree of protection.

### Product description

Version	metal version
Series	Hoods for 2 levers, without gasket
Product type	with 2 levers, without gasket
Variant	top entry
Style	high construction
Family	CLASS enclosures
Size	size "57.27"

### Technical data

Material	metal
IP degree of protection	IP66 (and IP69K DIN 40050 - 9)
Cable entry	Pg21

### Further technical details

Weight	274,00 g
--------	----------

### Approvals / Standards

Quality mark	 (type:4/4X/12),  , EAC
Conformity	CQC, CE

### General ordering information

EAN13 code	8015747009331
Tariff number	85369095

### Packaging Information

Packaging length	240,00 mm
Packaging height	120,00 mm
Packaging width	355,00 mm
Packaging weight	2,74 kg
Packaging volume	10,22 dm <sup>3</sup>
Packaging description	Carton box
Packaging quantity	10 Pcs
Packaging EAN code	8015747225984
Sub-packaging weight	1,37 kg
Sub-packaging description	Plastic pakaging
Sub-packaging quantity	5 Pcs
Sub-packaging EAN barcode	8015747009348

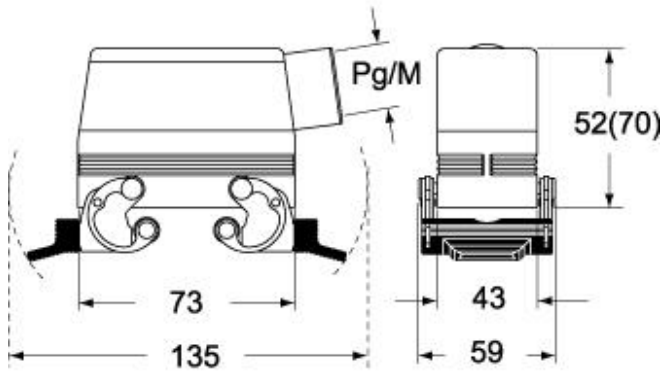
Part number

# CAV 10 X



Catalogue drawings

**CHO X (CAO X) - MHO X (MAO X)**



**CHV X (CAV X) - MHV X (MAV X)**

